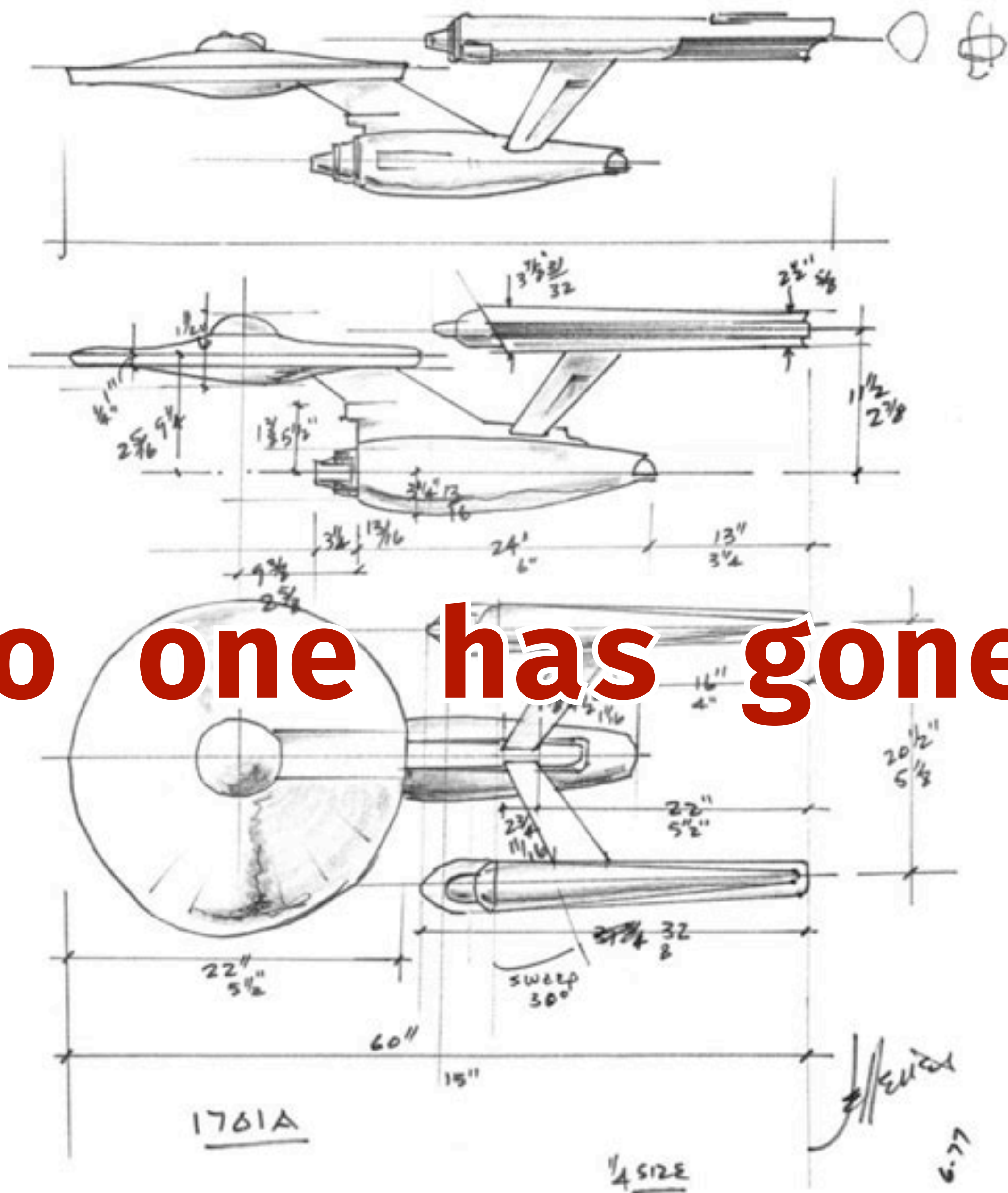


**TIL**

**where no one has gone before  
part 2**



- 7. [ENT](#)
- 8. [DSC](#)
- 9. [ST](#)
- 10. [PIC](#)
- 11. [LD](#)
- 12. [PRO](#)
- 13. SNW

caption

	Star Trek: The Original Series	
The Cage	Der Käfig	1988-12-24 ► <a href="#">Handlung</a>
<b>S1:E1</b> The Man Trap	Das Letzte seiner Art	1966-09-08 ► <a href="#">Handlung</a>
<b>S1:E2</b> Charlie X	Der Fall Charlie	1966-09-15 ► <a href="#">Handlung</a>
<b>S1:E3</b> Where No Man Has Gone Before	Die Spitze des Eisberges	1966-09-22 ► <a href="#">Handlung</a>
<b>S1:E4</b> The Naked Time	Implosion in der Spirale	1966-09-29 ► <a href="#">Handlung</a>
<b>S1:E5</b> The Enemy Within	Kirk : 2 = ?	1966-10-06 ► <a href="#">Handlung</a>
<b>S1:E6</b> Mudd's Women	Die Frauen des Mr. Mudd	1966-10-13 ► <a href="#">Handlung</a>
<b>S1:E7</b> What Are Little Girls Made Of?	Der alte Traum	1966-10-20 ► <a href="#">Handlung</a>

- 7. [ENT](#)
- 8. [DSC](#)
- 9. [ST](#)
- 10. [PIC](#)
- 11. [LD](#)
- 12. [PRO](#)
- 13. SNW

h1

## Star Trek: The Original Series

The Cage	Der Käfig	1988-12-24 ► <a href="#">Handlung</a>
<b>S1:E1</b> The Man Trap	Das Letzte seiner Art	1966-09-08 ► <a href="#">Handlung</a>
<b>S1:E2</b> Charlie X	Der Fall Charlie	1966-09-15 ► <a href="#">Handlung</a>
<b>S1:E3</b> Where No Man Has Gone Before	Die Spitze des Eisberges	1966-09-22 ► <a href="#">Handlung</a>
<b>S1:E4</b> The Naked Time	Implosion in der Spirale	1966-09-29 ► <a href="#">Handlung</a>
<b>S1:E5</b> The Enemy Within	Kirk : 2 = ?	1966-10-06 ► <a href="#">Handlung</a>
<b>S1:E6</b> Mudd's Women	Die Frauen des Mr. Mudd	1966-10-13 ► <a href="#">Handlung</a>
<b>S1:E7</b> What Are Little Girls Made Of?	Der alte Traum	1966-10-20 ► <a href="#">Handlung</a>

Star Trek: Lower Decks episode

https://bittersmann.de/startrek/series/ld

120% Suchen

TOS TAS TNG DS9 VOY ENT DSC ST PIC LD PRO SNW

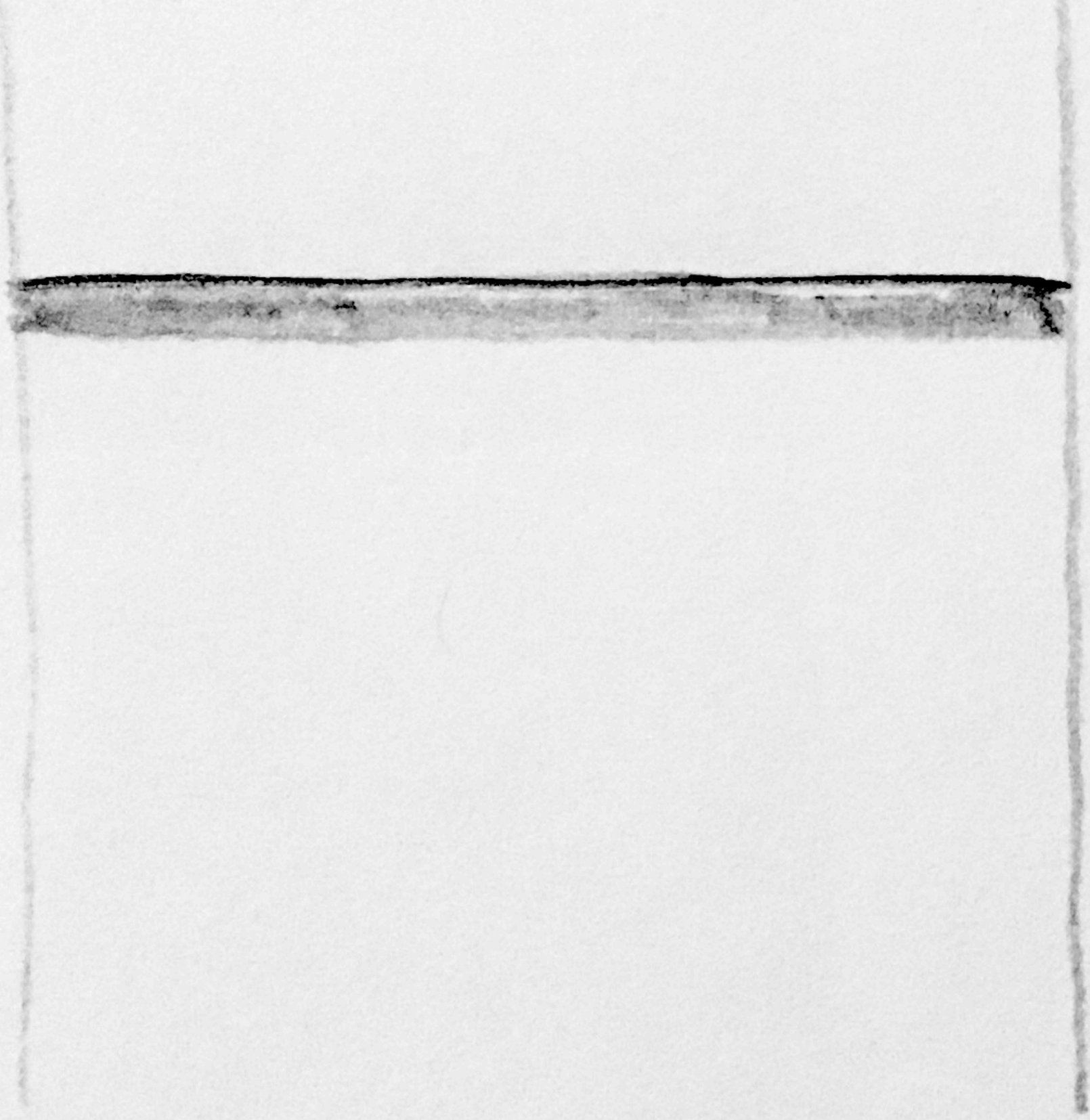
# Star Trek: Lower Decks

S1:E1	Second Contact	Der Zweite Kontakt	2020-08-06	▶ Handlung	▶ Ups & Downs
S1:E2	Envoys	Gesandte	2020-08-13	▶ Handlung	▶ Ups & Downs
S1:E3	Temporal Edict	Der Zeitpuffer	2020-08-20	▶ Handlung	▶ Ups & Downs
S1:E4	Moist Vessel	Das Generationenschiff	2020-08-27	▶ Handlung	▶ Ups & Downs
S1:E5	Cupid's Errant Arrow	Mondtrümmer und Liebesleid	2020-09-03	▶ Handlung	▶ Ups & Downs
S1:E6	Terminal Provocations	Diplomatischer Schrott	2020-09-10	▶ Handlung	▶ Ups & Downs
S1:E7	Much Ado About Boimler	Viel Lärm um Boimler	2020-09-17	▶ Handlung	▶ Ups & Downs
S1:E8	Veritas	Veritas	2020-09-24	▶ Handlung	▶ Ups & Downs
S1:E9	Crisis Point	Der Aufstieg von Vindicta	2020-10-01	▶ Handlung	▶ Ups & Downs
S1:E10	No Small Parts	Keine kleinen Rollen	2020-10-08	▶ Handlung	▶ Ups & Downs
S2:E1	Strange Energies	Seltsame Energien	2021-08-12	▶ Handlung	▶ Ups & Downs
S2:E2	Kayshon, His Eyes Open	Kayshon, seine Augen offen	2021-08-19	▶ Handlung	▶ Ups & Downs
S2:E3	We'll Always Have Tom Paris	Begegnung mit der Befangenheit	2021-08-26	▶ Handlung	▶ Ups & Downs
S2:E4	Mugato, Gumato	Mugato, Gumato	2021-09-02	▶ Handlung	▶ Ups & Downs
S2:E5	An Embarrassment of Dooplery	Die Doopler-Verwirrung	2021-09-09	▶ Handlung	▶ Ups & Downs
S2:E6	The Spy Humongous	Der große, braune Spion	2021-09-16	▶ Handlung	▶ Ups & Downs
S2:E7	Where Pleasant Fountains Lie	Wo die lustigen Quellen liegen	2021-09-23	▶ Handlung	▶ Ups & Downs

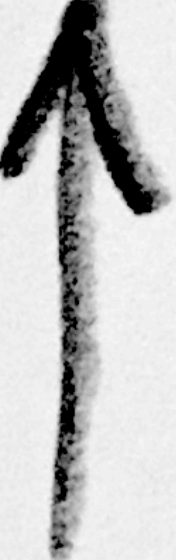
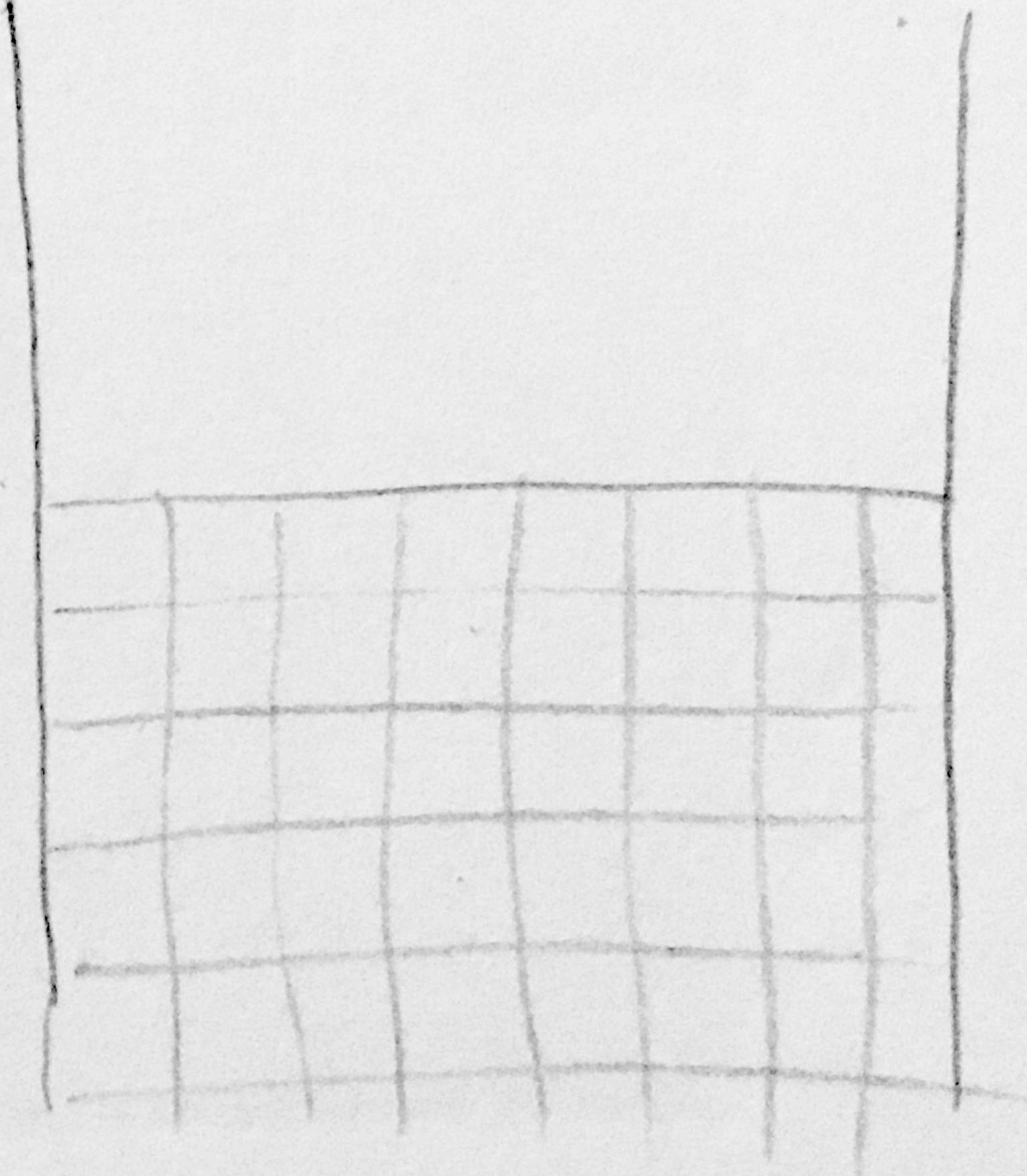
Data source: [Wikipedia](#)

Code	English Title	German Title	Air Date	Content	Extras
S1:E1	Second Contact	Der Zweite Kontakt	2020-08-06	▶ Handlung	▶ Ups & Downs
S1:E2	Envoys	Gesandte	2020-08-13	▶ Handlung	▶ Ups & Downs
S1:E3	Temporal Edict	Der Zeitpuffer	2020-08-20	▶ Handlung	▶ Ups & Downs
S1:E4	Moist Vessel	Das Generationenschiff	2020-08-27	▶ Handlung	▶ Ups & Downs
S1:E5	Cupid's Errant Arrow	Mondtrümmer und Liebesleid	2020-09-03	▶ Handlung	▶ Ups & Downs
S1:E6	Terminal Provocations	Diplomatischer Schrott	2020-09-10	▶ Handlung	▶ Ups & Downs
S1:E7	Much Ado About Boimler	Viel Lärm um Boimler	2020-09-17	▶ Handlung	▶ Ups & Downs
S1:E8	Veritas	Veritas	2020-09-24	▶ Handlung	▶ Ups & Downs
S1:E9	Crisis Point	Der Aufstieg von Vindicta	2020-10-01	▶ Handlung	▶ Ups & Downs
S1:E10	No Small Parts	Keine kleinen Rollen	2020-10-08	▶ Handlung	▶ Ups & Downs
S2:E1	Strange Energies	Seltsame Energien	2021-08-12	▶ Handlung	▶ Ups & Downs
S2:E2	Kayshon, His Eyes Open	Kayshon, seine Augen offen	2021-08-19	▶ Handlung	▶ Ups & Downs
S2:E3	We'll Always Have Tom Paris	Begegnung mit der Befangenheit	2021-08-26	▶ Handlung	▶ Ups & Downs
S2:E4	Mugato, Gumato	Mugato, Gumato	2021-09-02	▶ Handlung	▶ Ups & Downs
S2:E5	An Embarrassment of Dooplery	Die Doopler-Verwirrung	2021-09-09	▶ Handlung	▶ Ups & Downs
S2:E6	The Spy Humongous	Der große, braune Spion	2021-09-16	▶ Handlung	▶ Ups & Downs
S2:E7	Where Pleasant Fountains Lie	Wo die lust'gen Quellen liegen	2021-09-23	▶ Handlung	▶ Ups & Downs
S2:E8	I, Excretus	Ich, Excretus	2021-09-30	▶ Handlung	▶ Ups & Downs
S2:E9	wej Duj	wej Duj	2021-10-07	▶ Handlung	▶ Ups & Downs
S2:E10	First First Contact	Erster Erster Kontakt	2021-10-14	▶ Handlung	▶ Ups & Downs

actual  
fixed



body



```
const headerElement = document.querySelector('header');
```

```
const refreshHeaderHeight = () => {  
  document.documentElement.style.setProperty(  
    '--header-height', `${headerElement.offsetHeight}px`  
  );  
};
```

```
window.addEventListener('resize', refreshHeaderHeight);
```

```
refreshHeaderHeight();
```



# Optimizing window.onresize

by **Ben Centra**



February 27, 2015

in [Code](#)

Let's say you're working on a webpage. You want something on that webpage to respond to changing the size of the window, in a way that can't be handled with straight CSS or [media queries](#). So you take advantage of the [window resize event](#), attach an event handler to do your thing, and all seems to be good.

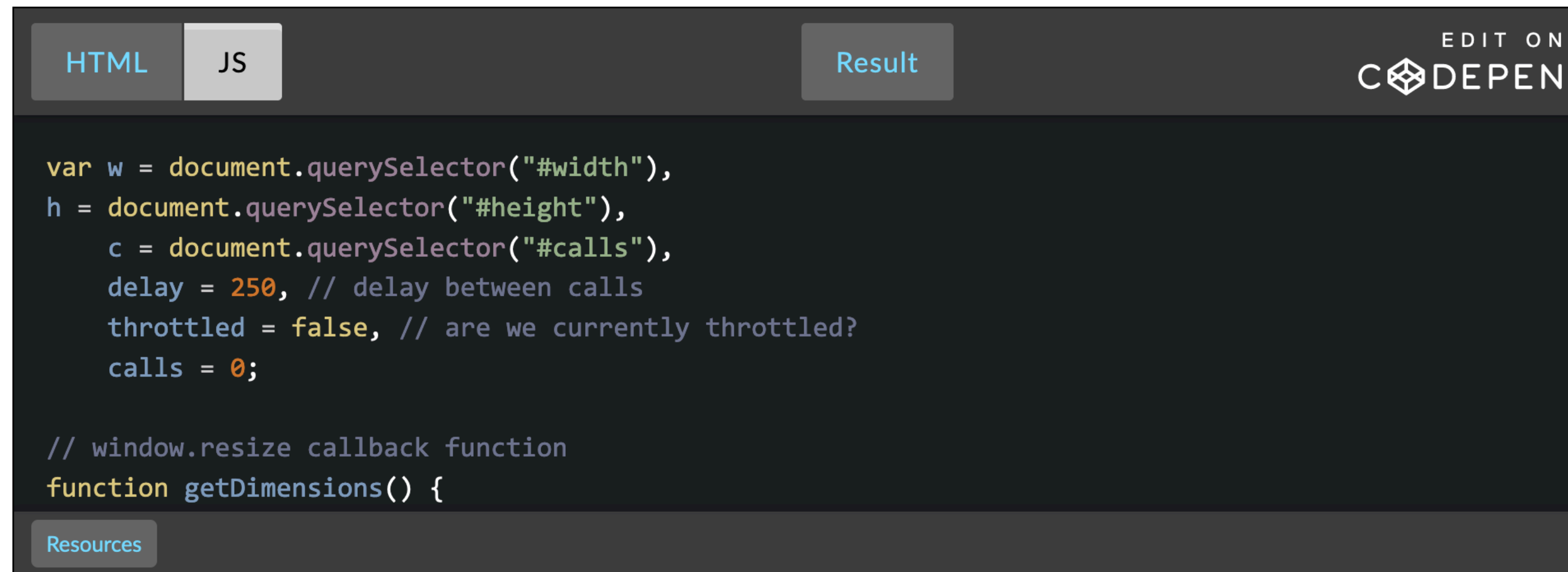
However, directly hooking into window.onresize isn't very performant. Each small change made to the window size will fire a separate resize event. If you're performing an expensive operation each resize, your page will start to lag and the user experience will suffer. At the very least, it may be confusing or unnecessary to react to every little change.

Luckily there are two ways to improve the performance of window.onresize: **throttling** and **debouncing**.

## Throttling

[Throttling](#) `window.onresize` limits how often the event handler will be called by setting a timeout between calls. This will allow you to call the function at a reasonable rate.

A [basic example](#) looks like this:



The screenshot shows a CodePen editor interface. At the top, there are tabs for 'HTML', 'JS', and 'Result'. The 'JS' tab is selected. The code in the JS tab is as follows:

```
var w = document.querySelector("#width"),
    h = document.querySelector("#height"),
    c = document.querySelector("#calls"),
    delay = 250, // delay between calls
    throttled = false, // are we currently throttled?
    calls = 0;

// window.resize callback function
function getDimensions() {
```

At the bottom left of the editor, there is a 'Resources' button. At the bottom right, there is a logo for 'EDIT ON CODEPEN'.

## Debouncing

[Debouncing](#) `window.onresize` will only call the event handler after the event has stopped firing for a certain amount of time. This will ensure that your function will only be called once the resizing is “complete.”



```
const headerElement = document.querySelector('header');
```

```
const refreshHeaderHeight = () => {  
  document.documentElement.style.setProperty(  
    '--header-height', `${headerElement.offsetHeight}px`  
  );  
};
```

```
window.addEventListener('resize', refreshHeaderHeight);
```

```
refreshHeaderHeight();
```

```
const debouncingDelay = 250;
let timeout;
const headerElement = document.querySelector('header');

const refreshHeaderHeight = () => {
  document.documentElement.style.setProperty(
    '--header-height', `${headerElement.offsetHeight}px`
  );
};

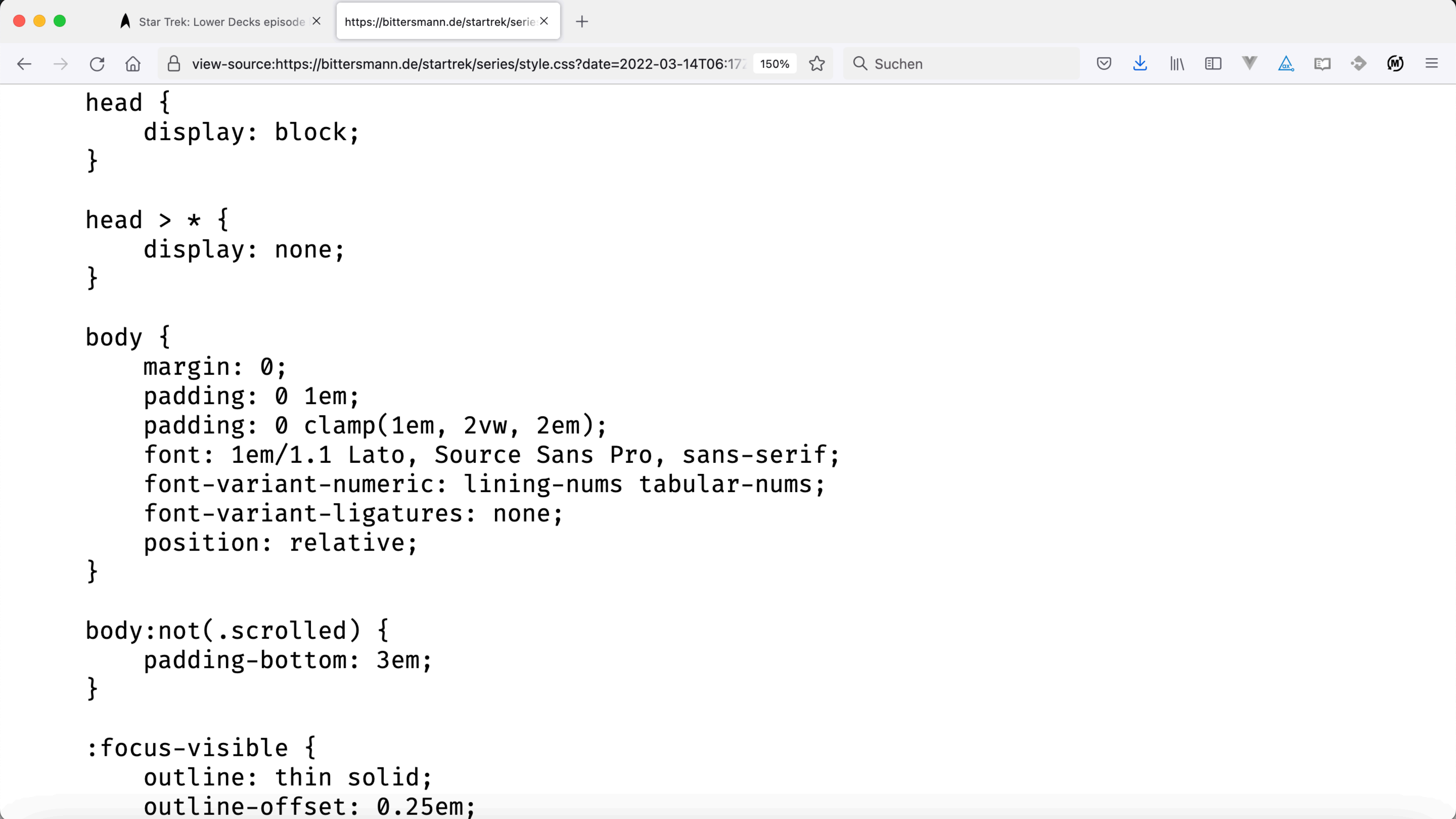
window.addEventListener('resize', () => {
  clearTimeout(timeout);
  timeout = setTimeout(refreshHeaderHeight, debouncingDelay);
});

refreshHeaderHeight();
```

```
const resizeObserver = new ResizeObserver(entries => {
  document.documentElement.style.setProperty(
    '--header-height', `${entries[0].offsetHeight}px`
  );
});

resizeObserver.observe(document.querySelector('header'));
```

```
Star Trek: Lower Decks episode X https://bittersmann.de/startrek/serie: X +
view-source:https://bittersmann.de/startrek/series/ld 120% Suchen
1130 <script>
1131     const resizeObserver = new ResizeObserver(entries => {
1132     document.documentElement.style.setProperty(
1133     '--header-height', `${entries[0].target.offsetHeight}px`
1134     );
1135 });
1136
1137 resizeObserver.observe(document.querySelector('header'));
1138
1139
1140 const intersectionObserver = new IntersectionObserver(entries => {
1141     document.body.classList.toggle(
1142     'scrolled', entries[0].intersectionRatio = 0
1143     );
1144 }, { rootMargin: '36px' });
1145
1146 intersectionObserver.observe(document.head);
1147
1148
1149 for (let videoDetailsElement of document.querySelectorAll('details[property="video"]')) {
1150     videoDetailsElement.addEventListener('toggle', event => {
1151     const iframeElement = event.target.querySelector('iframe');
1152     if (!iframeElement.src) {
1153     iframeElement.src = event.target.querySelector('meta').getAttribute('content');
1154     }
1155     });
1156 }
1157 </script>
1158 </body>
1159 </html>
1160
```



```
head {
  display: block;
}

head > * {
  display: none;
}

body {
  margin: 0;
  padding: 0 1em;
  padding: 0 clamp(1em, 2vw, 2em);
  font: 1em/1.1 Lato, Source Sans Pro, sans-serif;
  font-variant-numeric: lining-nums tabular-nums;
  font-variant-ligatures: none;
  position: relative;
}

body:not(.scrolled) {
  padding-bottom: 3em;
}

:focus-visible {
  outline: thin solid;
  outline-offset: 0.25em;
}
```

